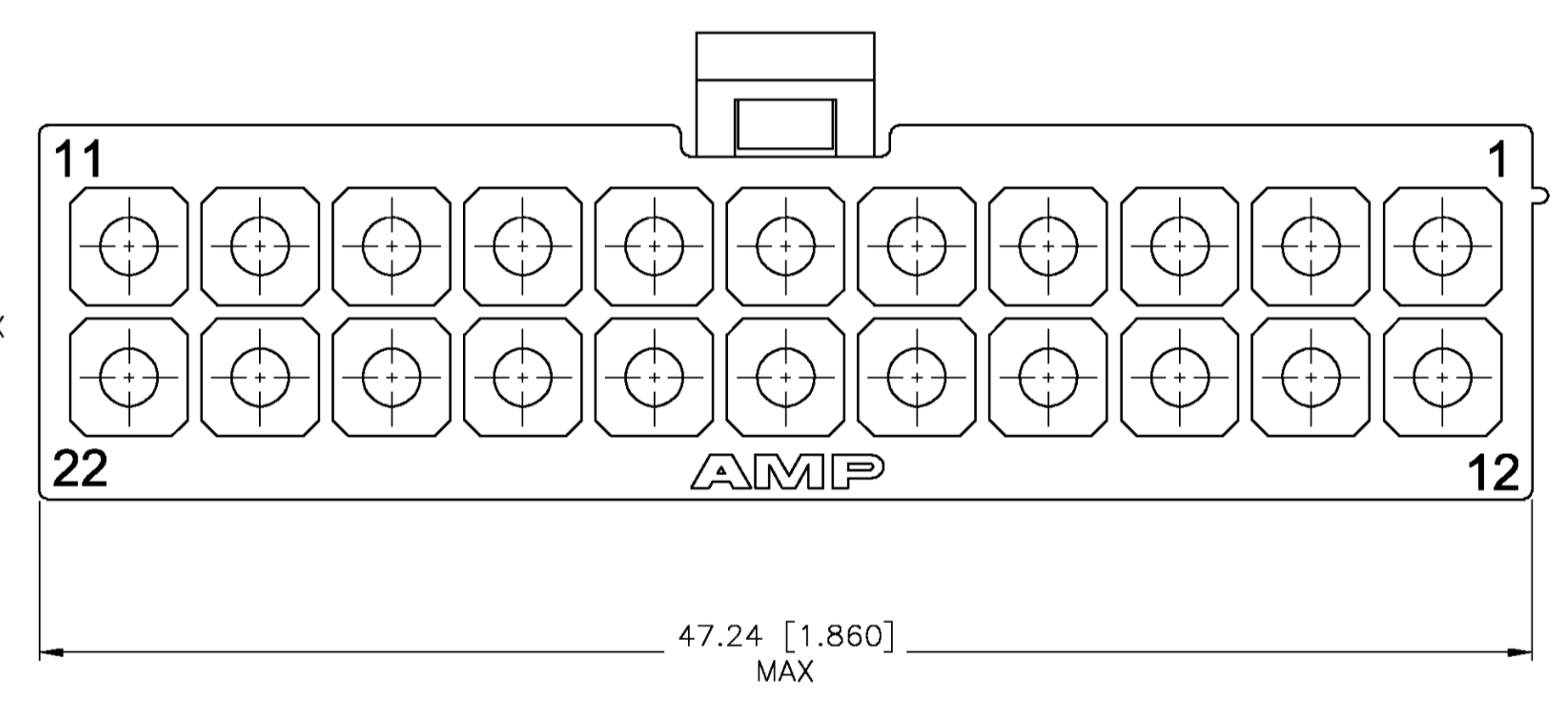
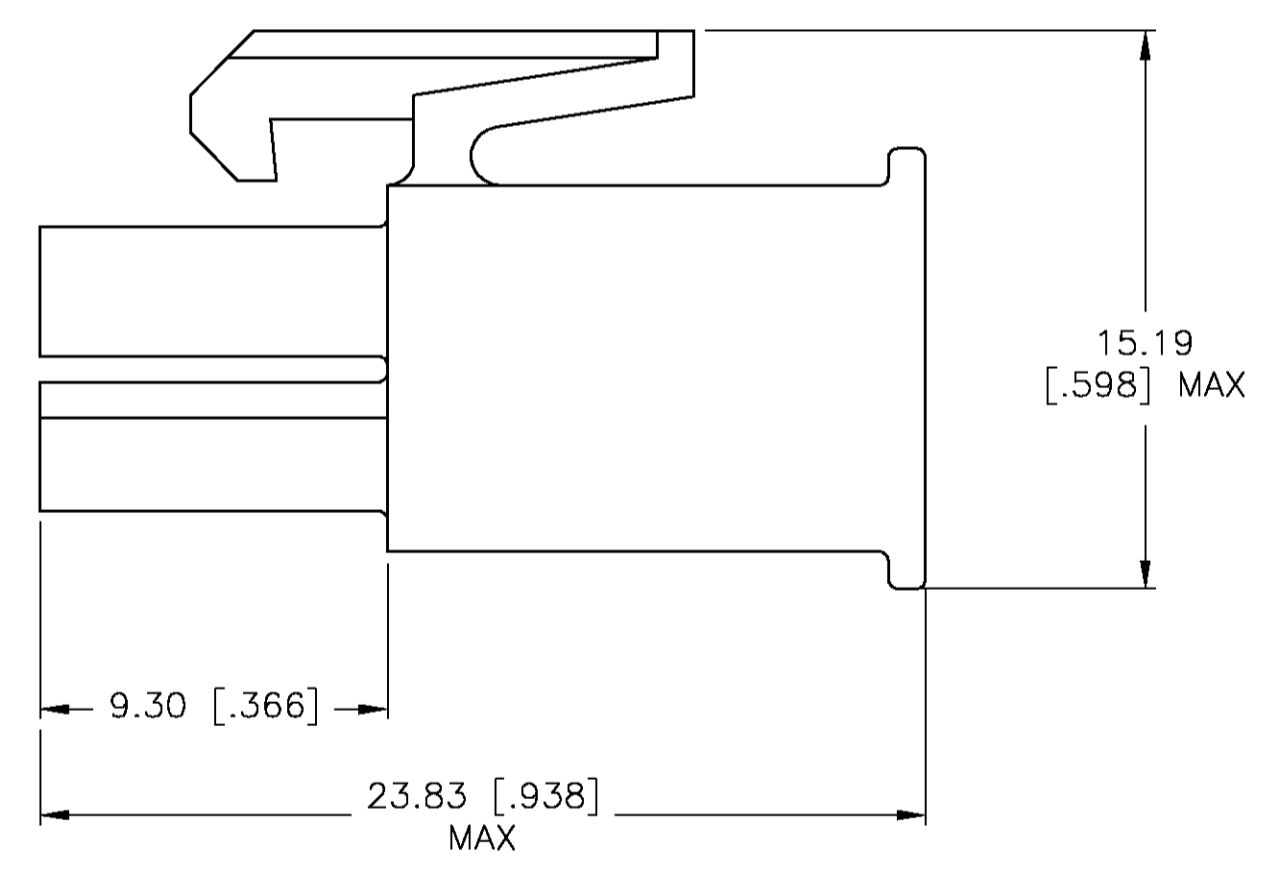
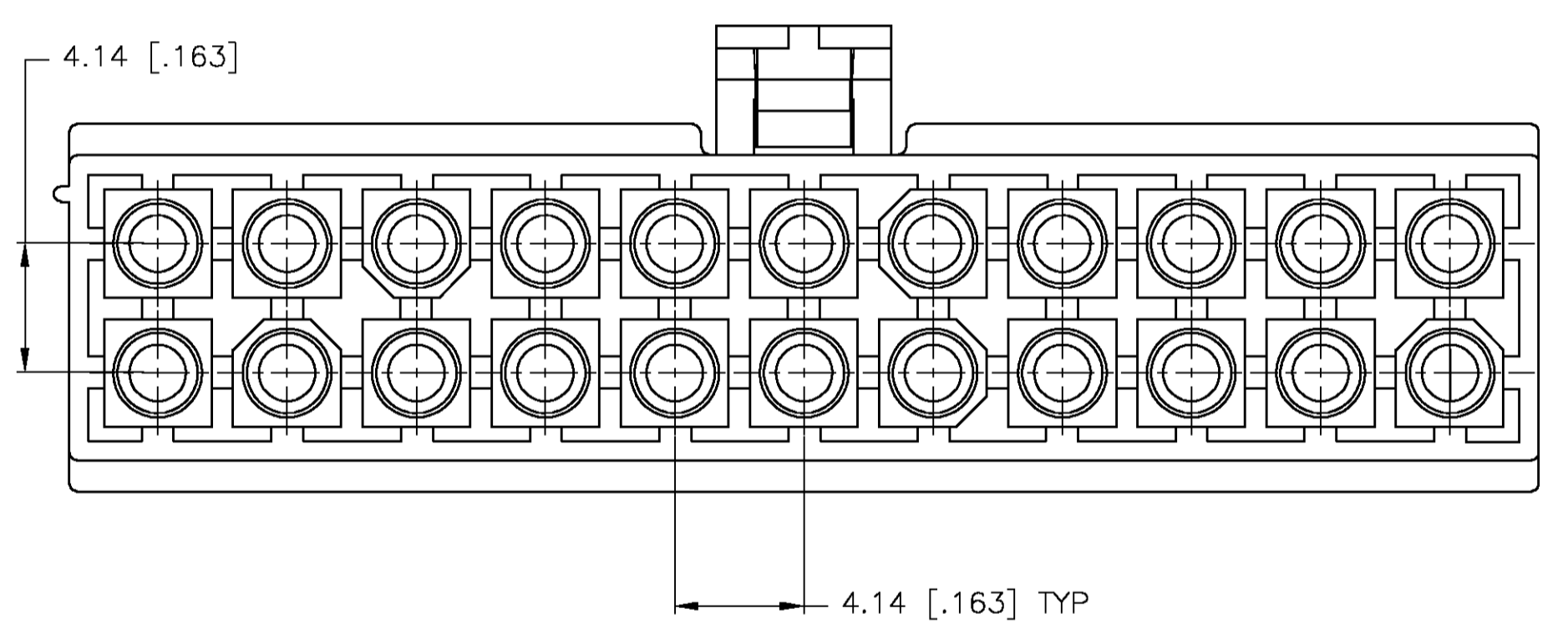
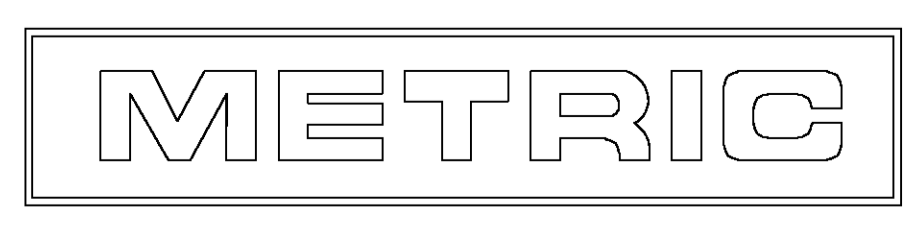


LOC		DIST		REVISIONS				
P	LTR	DESCRIPTION	DATE	OWN	APVD			
F		REVISED PER 0G3B-0960-04	22-NOV-04	KW	CJ			

1. INDIVIDUAL CORING FEATURES AROUND BASES OF SILOS MAY NOT BE PRESENT IN ALL LOCATIONS SHOWN.



770586-1  
PART NUMBER



THIS DRAWING IS A CONTROLLED DOCUMENT.		OWN S. HOOVER	12-MAY-2004		Tyco Electronics Corporation Harrisburg, Pa 17105-3608	
DIMENSIONS: mm [INCHES]		CHK C. JONES	12-MAY-2004		PLUG, 22 CIRCUIT, MINI UNIVERSAL MATE-N-LOK™	
TOLERANCES UNLESS OTHERWISE SPECIFIED:		APVD C. JONES	12-MAY-2004	APPLICATION SPEC		
0 PLC ± 1 PLC ± 2 PLC ± 3 PLC ± 0.13 [.005] 4 PLC ± ANGLES ±		MATERIAL NYLON, UL 94V-0 WHITE		FINISH		RESTRICTED TO
CUSTOMER DRAWING		WEIGHT		SIZE A1	CAGE CODE 00779	DRAWING NO 770586
		SCALE 4:1		SHEET 1	OF 1	REV F